

X-Band Focusing Lens Horn Antenna

8.2 to 12.4 GHz, WR90

DESCRIPTION

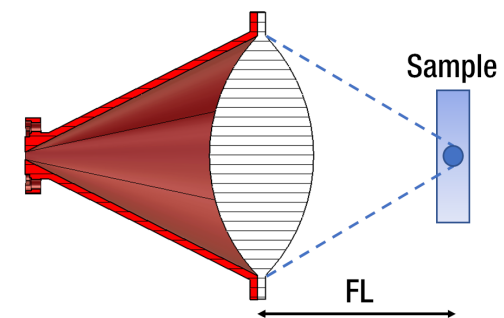
Anteral's Focusing Lens Horn Antennas are conical horn antennas with a double-convex Teflon (PTFE) lens added in the aperture, in order to apply phase correction and achieve superior focusing performance with minimum size.

The FLHA-F-WR90 model operates at the X-band between 8.2 and 12.4 GHz with a focal length of 217 mm and a diameter beam focus of 38 mm.

APPLICATIONS

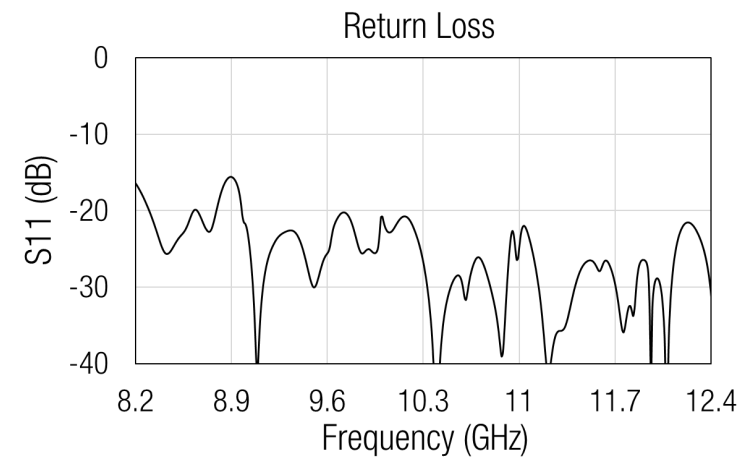
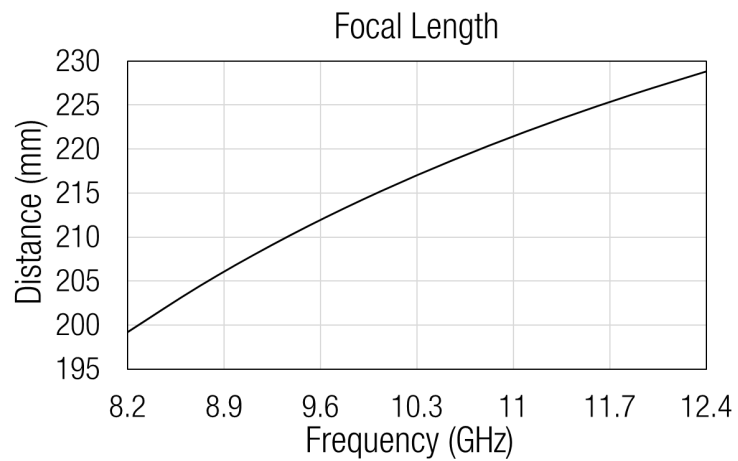
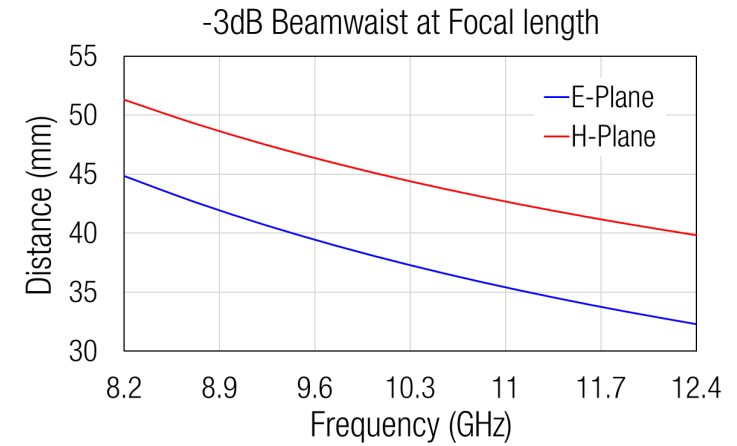
Focusing Lens Horn Antennas are especially useful when focusing beam is required with short focal distances. Therefore, these antennas are widely used in testing and material characterization.

Anteral also offers their **Lens Horn Antennas** with plano-convex lenses to exhibit high gain (>30 dB) in a very compact size which makes them optimal for radar applications, communication links or meteorological systems among others.



ELECTRICAL SPECIFICATIONS

Parameter	Minimum	Typical	Maximum
Frequency	8.2 GHz	10.35 GHz	12.4 GHz
Focal Length	199.2 mm	217.0 mm	228.8 mm
3 dB Beamwaist, E-plane		38 mm	
3 dB Beamwaist, H-plane		45 mm	
S11		-20 dB	-15 dB

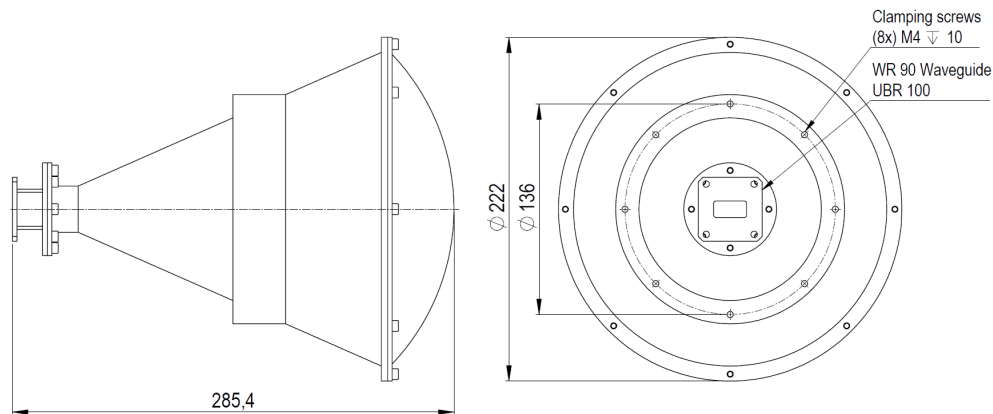


MECHANICAL SPECIFICATIONS

Parameter	Description
Antenna Port*	WR-90 (22.860 mm x 10.160 mm)
Flange	UBR 100
Total length	285.4 mm
Total diameter	222 mm
Total weight	4210 g
Horn Material	Aluminum
Lens Material	PTFE
External Color	Ruby Red

*The antenna includes a rectangular to circular waveguide transition (WR-90 to WC-89)

MECHANICAL OUTLINE



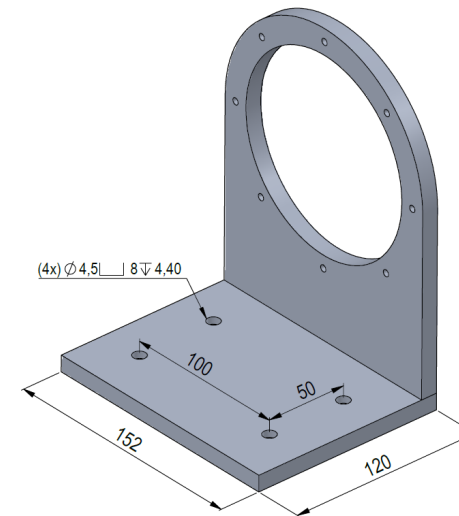
CLAMPING STRUCTURE

Anteral's Lens Horn Antennas are drilled with some threads for clamping purpose. See the mechanical outline.

Anteral also offers clamping structure for the LHA-F-WR90 with the following specifications.

Model	Material	Weight (g)
LHA-F-WR90-CLAMP	Aluminum	890

*The base is drilled with 4 through holes but any custom holes can be added.



Additional notes

Focal length, beamwaist and return loss data are measured from a sample. Actual values could vary slightly.

The return loss performance of all items is checked before delivery.