

G-Band Near Field Probe

140 to 220 GHz, WR05

DESCRIPTION

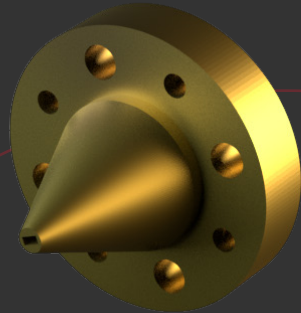
The NFP-15-WR05 is a high-performance open-ended waveguide probe that operates at the G-band between 140 and 220 GHz. It is manufactured in split-block configuration by high accurate manufacturing processes. The sharp edge is converted to a conical shape to scatter reflections.

All NFPs can include adequate absorber material to reduce backscattering reflections from flanges.

APPLICATIONS

This type of horns is especially suitable for laboratory test measurements, electromagnetic measurements and gain calibration. Moreover, custom bands and gain values can be requested.

Anteral also offers their **CATR** (Compact Antennas Test Range) for measuring large antennas at significant short ranges in antenna test facilities.



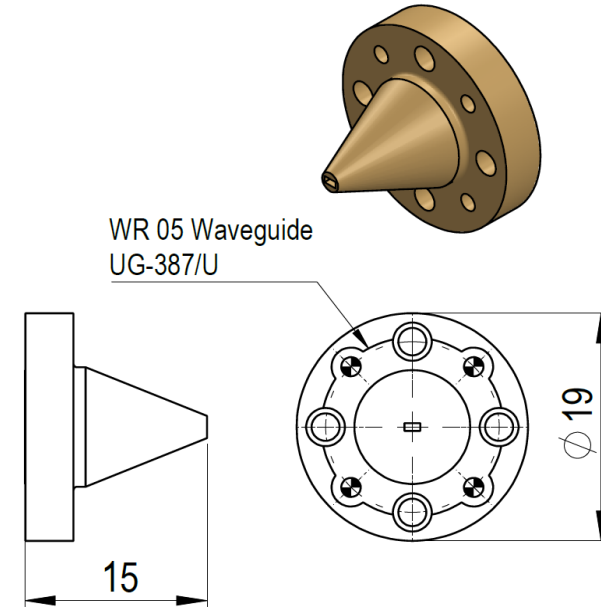
ELECTRICAL SPECIFICATIONS

Parameter	Minimum	Typical	Maximum
Frequency	140 GHz	180 GHz	220 GHz
Gain		7.5 dBi	
S11		-13 dB	

MECHANICAL SPECIFICATIONS

Parameter	Description
Antenna Port	WR-5.1 (1.295 mm x 0.6475 mm)
Flange	UG-387/U
Total length	15 mm
Horn Material	Aluminum

MECHANICAL OUTLINE



Additional notes

The return loss performance of all items is checked before delivery.