

# W-Band Near Field Probe

75 to 110 GHz, WR10

## DESCRIPTION

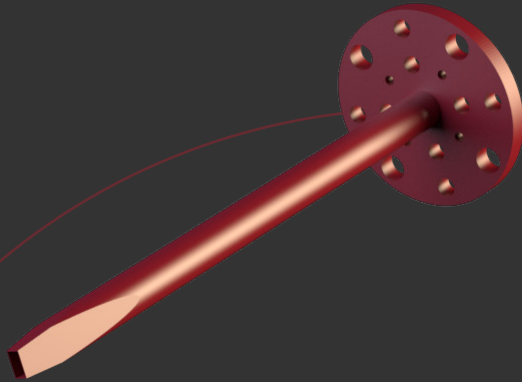
The NFP-40-WR10 is a high-performance open-ended waveguide probe that operates at the X-band between 75 and 110 GHz. It is manufactured from a single aluminium rod by high accurate manufacturing processes. The opening is sharp to reduce/minimize reflections.

Under client request, all NFPs can include adequate absorber material to reduce backscattering reflections from flanges.

## APPLICATIONS

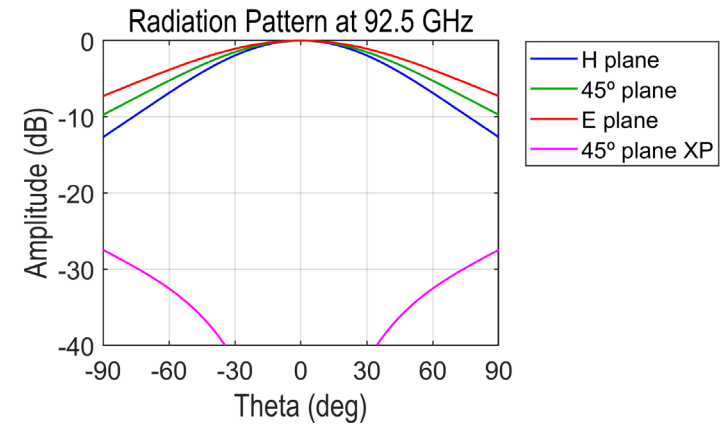
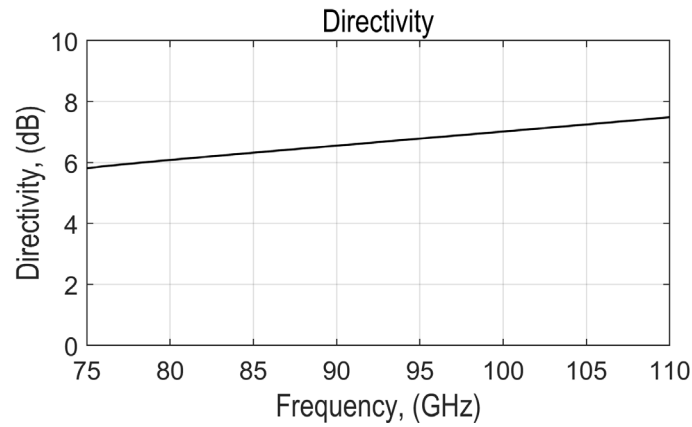
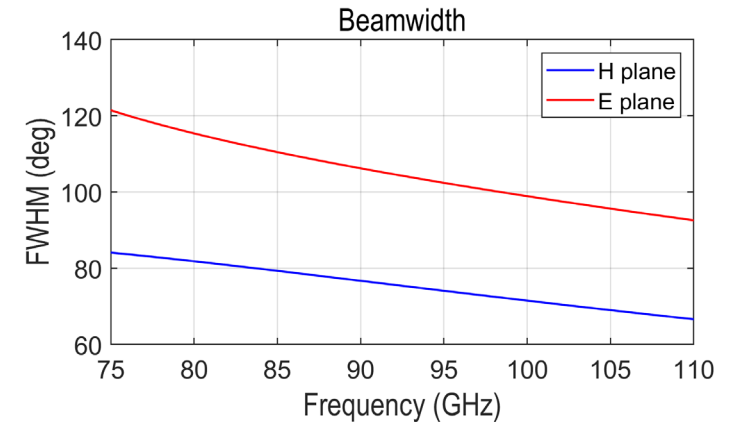
This type of probes is especially suitable for laboratory antenna near field measurements. Moreover, custom bands and radiation patten data can be requested for probe correction purposes.

Anteral also offers their **CATR** (Compact Antennas Test Range) for measuring antennas at such antenna test facilities.



### ELECTRICAL SPECIFICATIONS

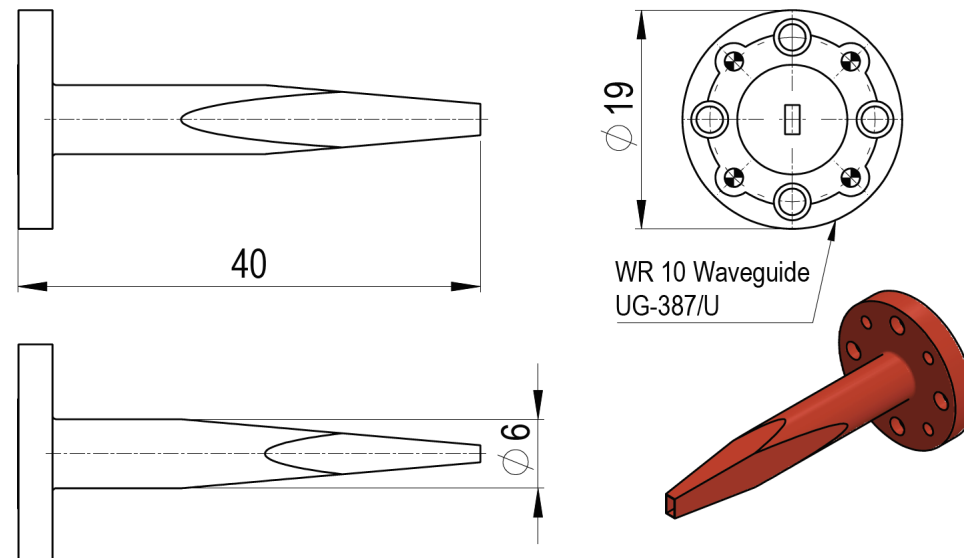
Parameter	Typical value
Frequency	75 - 110 GHz
Directivity	6.5 dBi
S11	-13 dB



## MECHANICAL SPECIFICATIONS

Parameter	Description
Antenna Port	WR-10 (2.54 mm x 1.27 mm)
Flange	UG-387/U
Total length	40 mm
Horn Material	Aluminum
External Color	Ruby Red

## MECHANICAL OUTLINE



### Additional notes

The return loss performance of all items is checked before delivery.

Last version: 09/05/2022.

