

E-Band Near Field Probe

60 to 90 GHz, WR12

DESCRIPTION

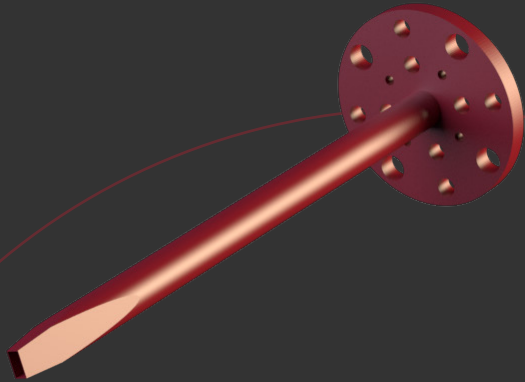
The NFP-40-WR12 is a high-performance open-ended waveguide probe that operates at the E-band between 60 and 90 GHz. It is manufactured from a single aluminium rod by high accurate manufacturing processes. The opening is sharp to reduce/minimize reflections.

All NFPs can include adequate absorber material to reduce backscattering reflections from flanges.

APPLICATIONS

This type of horns is especially suitable for laboratory test measurements, electromagnetic measurements and gain calibration. Moreover, custom bands and gain values can be requested.

Anteral also offers their **CATR** (Compact Antennas Test Range) for measuring large antennas at significant short ranges in antenna test facilities.



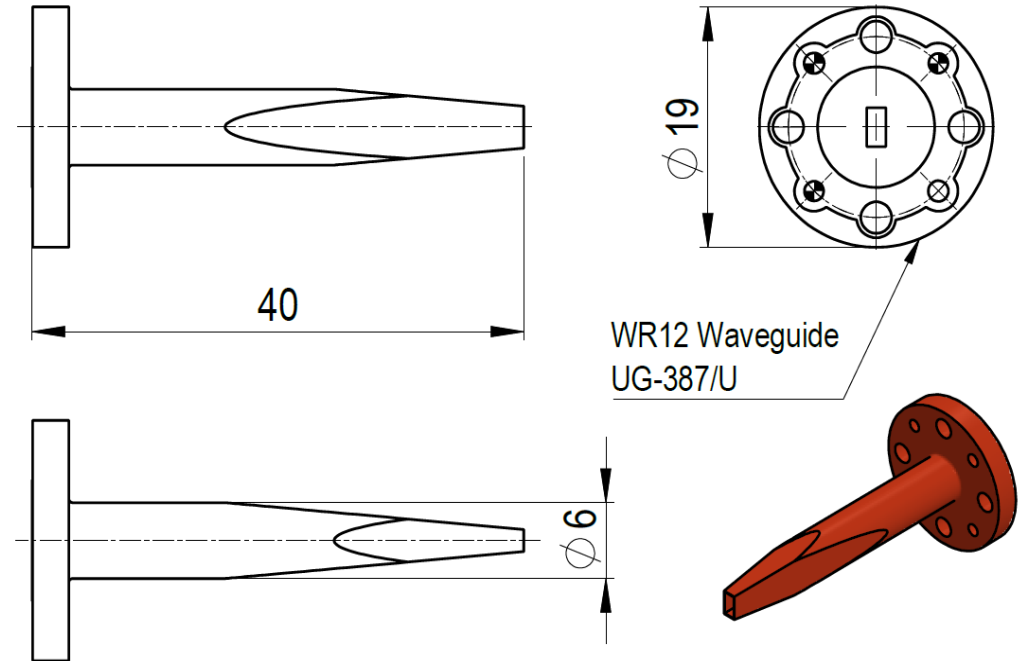
ELECTRICAL SPECIFICATIONS

Parameter	Minimum	Typical	Maximum
Frequency	60 GHz	75 GHz	90 GHz
Gain		7.5 dBi	
S11		-13 dB	

MECHANICAL SPECIFICATIONS

Parameter	Description
Antenna Port	WR-12 (3.099 mm x 1.549 mm)
Flange	UG-387/U
Total length	40 mm
Horn Material	Aluminum
External Color	Ruby Red

MECHANICAL OUTLINE



Additional notes

The return loss performance of all items is checked before delivery.