

# U-Band Near Field Probe

40 to 60 GHz, WR19

## DESCRIPTION

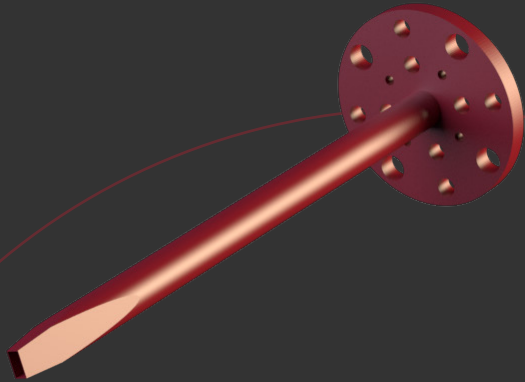
The NFP-60-WR19 is a high-performance open-ended waveguide probe that operates at the U-band between 40 and 60 GHz. It is manufactured from a single aluminium rod by high accurate manufacturing processes. The opening is sharp to reduce/minimize reflections.

All NFPs can include adequate absorber material to reduce backscattering reflections from flanges.

## APPLICATIONS

This type of horns is especially suitable for laboratory test measurements, electromagnetic measurements and gain calibration. Moreover, custom bands and gain values can be requested.

Anteral also offers their **CATR** (Compact Antennas Test Range) for measuring large antennas at significant short ranges in antenna test facilities.



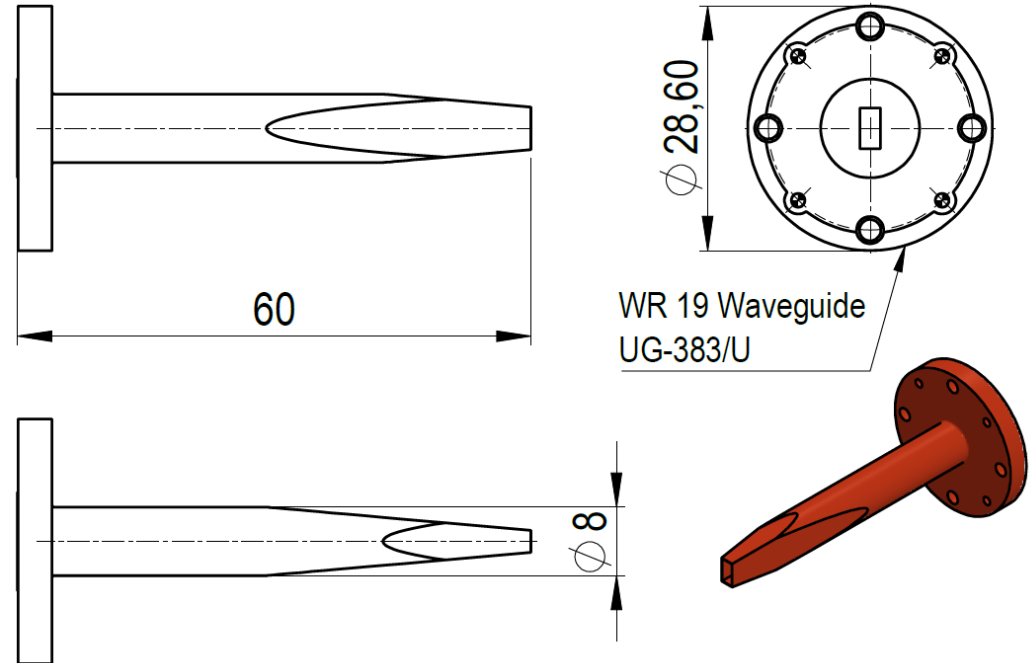
### ELECTRICAL SPECIFICATIONS

Parameter	Minimum	Typical	Maximum
Frequency	40 GHz	50 GHz	60 GHz
Gain		7.5 dBi	
S11		-13 dB	

### MECHANICAL SPECIFICATIONS

Parameter	Description
Antenna Port	WR-19 (4.775 mm x 2.388 mm)
Flange	UG-383/U
Total length	60 mm
Horn Material	Aluminum
External Color	Ruby Red

### MECHANICAL OUTLINE



### Additional notes

The return loss performance of all items is checked before delivery.