

# Ka-Band Near Field Probe

26.5 to 40 GHz, WR28

## DESCRIPTION

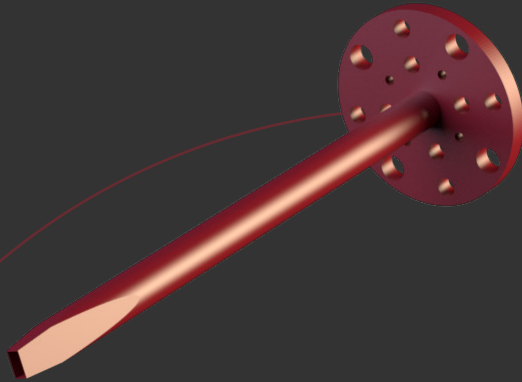
The NFP-100-WR28 is a high-performance open-ended waveguide probe that operates at the Ka-band between 26.5 and 40 GHz. It is manufactured from a single aluminium rod by high accurate manufacturing processes. The opening is sharp to reduce/minimize reflections.

All NFPs can include adequate absorber material to reduce backscattering reflections from flanges.

## APPLICATIONS

This type of horns is especially suitable for laboratory test measurements, electromagnetic measurements and gain calibration. Moreover, custom bands and gain values can be requested.

Anteral also offers their **CATR** (Compact Antennas Test Range) for measuring large antennas at significant short ranges in antenna test facilities.



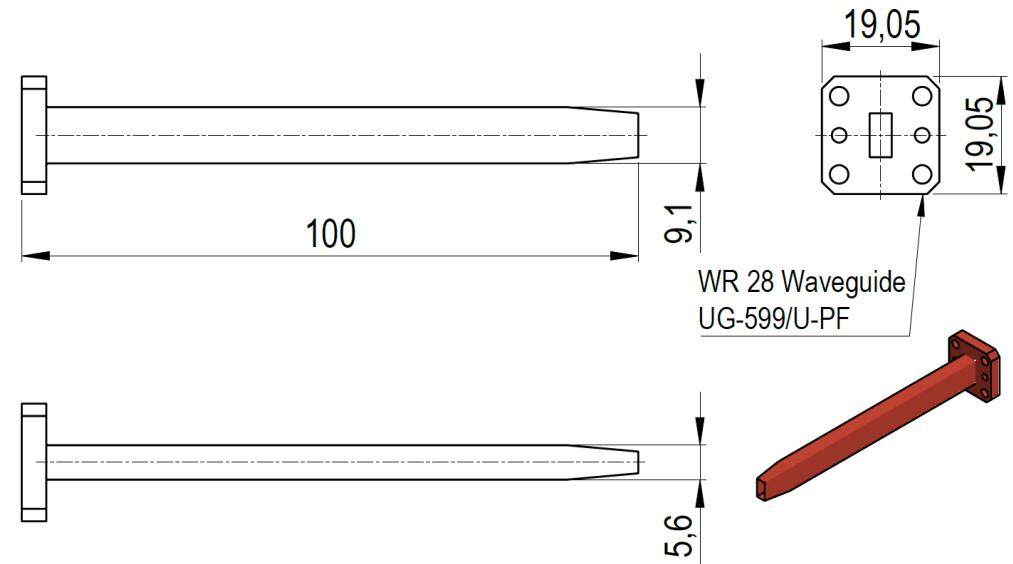
### ELECTRICAL SPECIFICATIONS

Parameter	Minimum	Typical	Maximum
Frequency	26.5 GHz	33.25 GHz	40 GHz
Gain		7.5 dBi	
S11		-13 dB	

### MECHANICAL SPECIFICATIONS

Parameter	Description
Antenna Port	WR-28 (7.112 mm x 3.556 mm)
Flange	UG-599/U -PF
Total length	100 mm
Horn Material	Aluminum

### MECHANICAL OUTLINE



### Additional notes

The return loss performance of all items is checked before delivery.