

# Near Field Probe

22 to 33 GHz, WR34

## DESCRIPTION

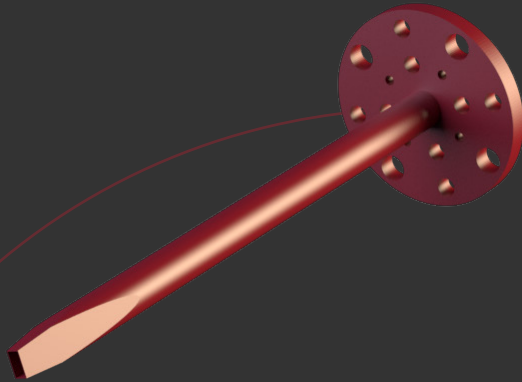
The NFP-100-WR34 is a high-performance open-ended waveguide probe that operates between 18 and 26.5 GHz. It is manufactured from a single aluminium rod by high accurate manufacturing processes. The opening is sharp to reduce/minimize reflections.

All NFPs can include adequate absorber material to reduce backscattering reflections from flanges.

## APPLICATIONS

This type of horns is especially suitable for laboratory test measurements, electromagnetic measurements and gain calibration. Moreover, custom bands and gain values can be requested.

Anteral also offers their **CATR** (Compact Antennas Test Range) for measuring large antennas at significant short ranges in antenna test facilities.



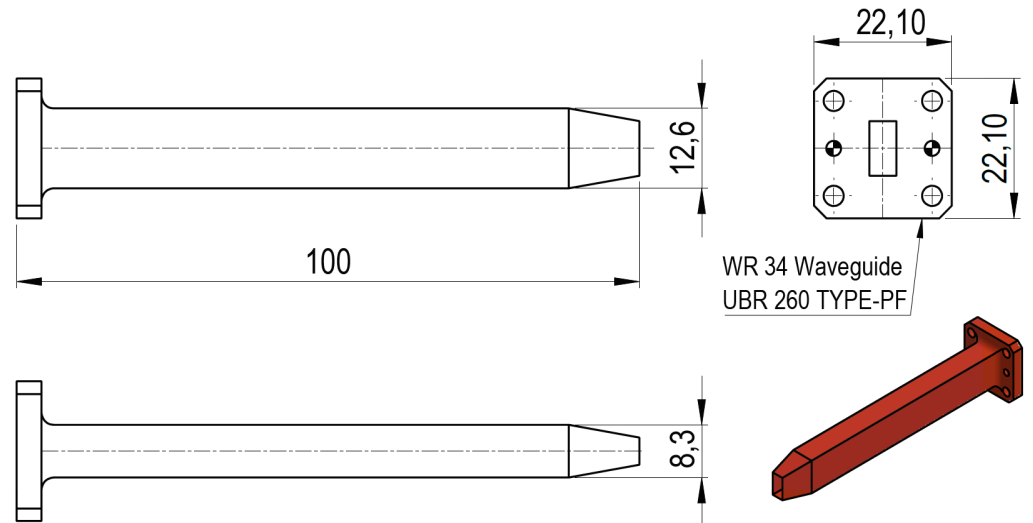
### ELECTRICAL SPECIFICATIONS

Parameter	Minimum	Typical	Maximum
Frequency	22 GHz	27.5 GHz	33 GHz
Gain		7.5 dBi	
S11		-13 dB	

### MECHANICAL SPECIFICATIONS

Parameter	Description
Antenna Port	WR-34 (8.636 mm x 4.318 mm)
Flange	UBR 260 -PF
Total length	100 mm
Horn Material	Aluminum

### MECHANICAL OUTLINE



### Additional notes

The return loss performance of all items is checked before delivery.