

K-Band Near Field Probe

18 to 26.5 GHz, WR42

DESCRIPTION

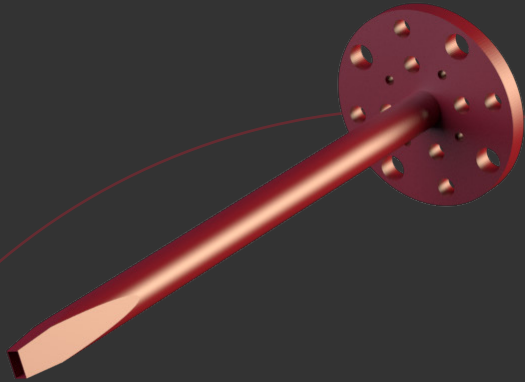
The NFP-150-WR42 is a high-performance open-ended waveguide probe that operates at the K-band between 18 and 26.5 GHz. It is manufactured from a single aluminium rod by high accurate manufacturing processes. The opening is sharp to reduce/minimize reflections.

All NFPs can include adequate absorber material to reduce backscattering reflections from flanges.

APPLICATIONS

This type of horns is especially suitable for laboratory test measurements, electromagnetic measurements and gain calibration. Moreover, custom bands and gain values can be requested.

Anteral also offers their **CATR** (Compact Antennas Test Range) for measuring large antennas at significant short ranges in antenna test facilities.



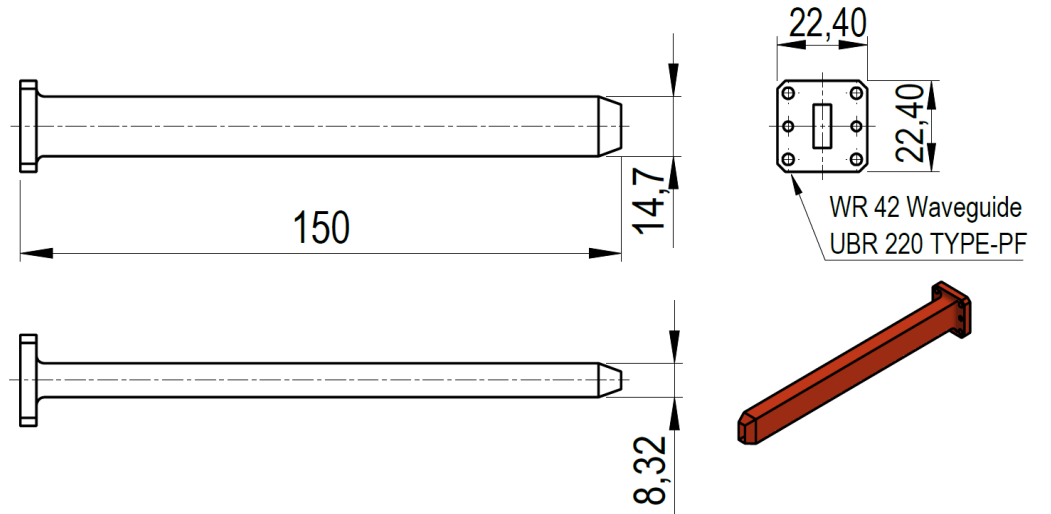
ELECTRICAL SPECIFICATIONS

Parameter	Minimum	Typical	Maximum
Frequency	18 GHz	22.25 GHz	26.5 GHz
Gain		7.5 dBi	
S11		-13 dB	

MECHANICAL SPECIFICATIONS

Parameter	Description
Antenna Port	WR-42 (10.668 mm x 4.318 mm)
Flange	UG-595/U -PF (UBR 220 -PF)
Total length	150 mm
Horn Material	Aluminum

MECHANICAL OUTLINE



Additional notes

The return loss performance of all items is checked before delivery.